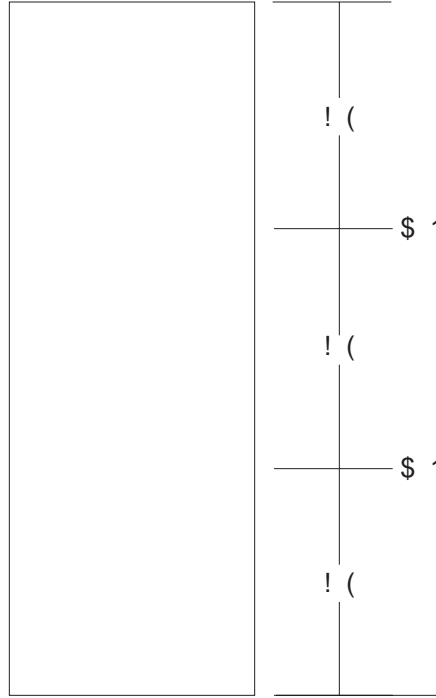


!"#\$%



* +! , -- 3
 . 04 5
 */ 6 * 0 7 8 &
 0 1 +
 \$ - 1 2 !#(9 (

			xantech	!"! # \$ % !"#"
		<input checked="" type="checkbox"/> '!(<input type="checkbox"/> '!(#(<input type="checkbox"/> ' _____)	& #'#(
		! : : #		
			;	"<
				& _____ \$ _____



MODEL 282X 'NAKED' [No Shell] EMITTER INSTALLATION INSTRUCTIONS



DESCRIPTION

The 282X is Xantech's Mouse Emitter without the Mouse! That's right, an emitter without the shell! This emitter is for those jobs where you need that clean & natural look with no emitter stuck to the front of the device and no wire hanging above or below the DVD Player, Home Theater Receiver or other.

This emitter can be placed *inside* the device attached near the units internal IR Sensor with the emitter wire dressed neatly out the rear for a perfectly clean IR Control System.

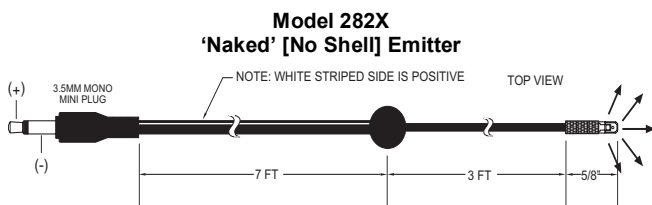


Fig. 1

INSTALLATION

ATTACHING THE EMITTER TO THE INSIDE OF THE IR CONTROLLED DEVICE

- Disconnect the IR controlled device from the AC power source.
- Remove the top cover of the device.
Note: Consult the device manufacturer's instruction manual for possible Warranty issues.
- Locate the devices internal IR Sensor along the front panel.
- In cases where it is difficult to find the IR sensor, consult the device's owner's manual or locate the IR sensor via the front panel, using a flashlight to see through the front window. If all else fails, simply place the 282X emitter in different locations and see where the most reliable control is achieved.
- Adhere the 282X emitter close to the sensor (or best location) using hot glue or other adhesive. See Figure 2.
KEEP HOT GLUE OFF OF EMITTER LENS.



Note: Be sure to dress the emitter wire away from any moving parts within the device. It might be necessary to ‘tack’ the 282X wire down in multiple locations to be sure.

In some cases it might be easiest to ‘tack’ the emitter to a location on the inside of the devices top cover that controls the device reliably. This will keep the 282X wiring away from any moving parts and the devices inner circuitry.

Component IR Sensor Window



Fig. 2: Emitter Placement

CONNECTING THE EMITTERS

- Simply insert the mono mini plug of the 282X into the “EMITTERS” or “OUT” jacks on any of the Xantech Connecting Blocks or Controllers.
- **CAUTION: Do not plug emitters into the IN/OUT or HIGH OUT jacks on the 791-44 or 790-00 Connecting Blocks. To do so will destroy the emitter!**
- Fig. 3 below illustrates a typical basic system using the 282X Emitter.

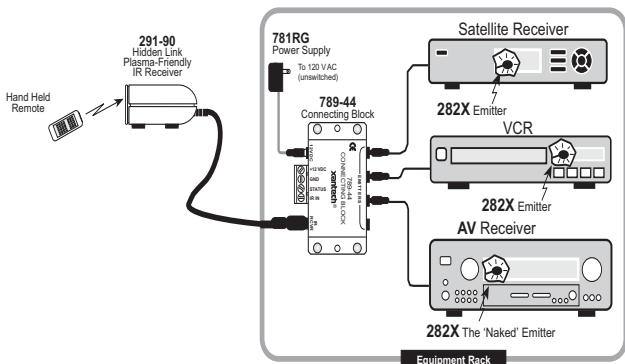


Fig. 3: 282X Basic System Diagram
Emitters displayed looking ‘through’ devices front panel.

LIMITED WARRANTY

Xantech® warrants its products to be free of defects in materials or workmanship. This warranty extends for one year from the date of purchase by the original consumer. Any products returned to Xantech and found to be defective by Xantech within the warranty period will be repaired or replaced, at Xantech's option, at no charge. Xantech will not be responsible for the actual cost of installation or removal of the product, nor for any incidental or consequential damages. Some states do not allow the exclusion or limitation of incidental or consequential damages, so the above limitation may not apply to you. This warranty gives you specific legal rights. You may have additional legal rights that vary from state to state.



13100 Telfair Ave., Sylmar CA 91342 • www.xantech.com
08901674 Rev. A