

INSTALLATION INSTRUCTIONS

284M DUAL MOUSE EMITTER

DESCRIPTION

The 284M Mouse Emitters, **Fig. 1**, each contain a tiny infrared LED housed in a miniature, mouse shaped, black appearing, injection molded plastic shell. They emit IR (infrared) control signals sent to them by IR receivers or other Xantech controllers. The 284Ms can be installed directly on the IR sensor window of the controlled devices or other suitable location. Refer to **Fig. 3**.

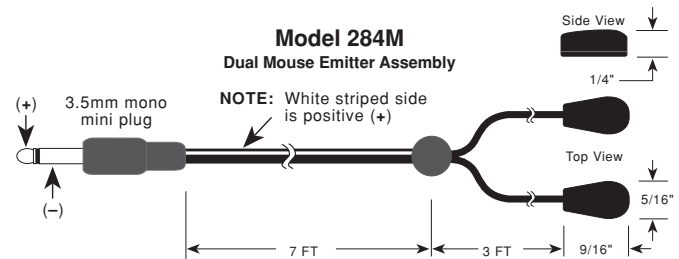


Fig. 1

INSTALLATION

ATTACHING THE EMITTERS TO IR SENSOR WINDOWS

- Each emitter has a clear **adhesive layer** on the bottom flat surface of the shell (**Fig. 2**).
- Simply peel off the adhesive protective cover and stick the emitter to the center of the IR sensor window on the controlled component's front panel. (See **Fig. 3a**). If you remove the emitter for any reason, it may be necessary to replace the adhesive with a fresh piece of the 2-sided tape (supplied) to restore best adhesion.
- In some cases it may be difficult to find the location of the IR sensor on the component. Consult the owner's manual of the unit, or the manufacturer, for the exact IR window location.
- Since the Emitter Shell is transparent to infrared, it allows IR to pass through to control the component from a hand-held remote as well as from the 284M.

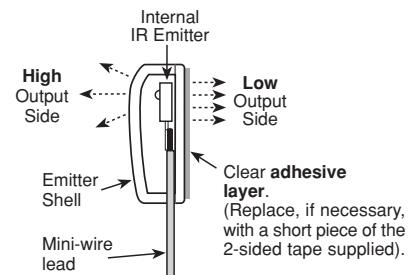


Fig. 2

ATTACHING THE EMITTERS TO OTHER LOCATIONS

- The high output from the curved top side of the emitter (**Fig. 2**) permits control from as much as 3 feet away when on the axis of the IR sensor window of the component.
- This allows placement on surfaces just below, above or in front of the controlled components for a more pleasing aesthetic appearance.
- Choose a location on a cabinet shelf, door, etc., as shown in **Figs. 3b, c and d**. Be sure the edge of the component does not block the IR signal (**Figs. 3c & d**).

CAUTION: Cabinet door locations (**Fig. 3b**) will usually result in interruption of the IR control signals to the components when the door is open.

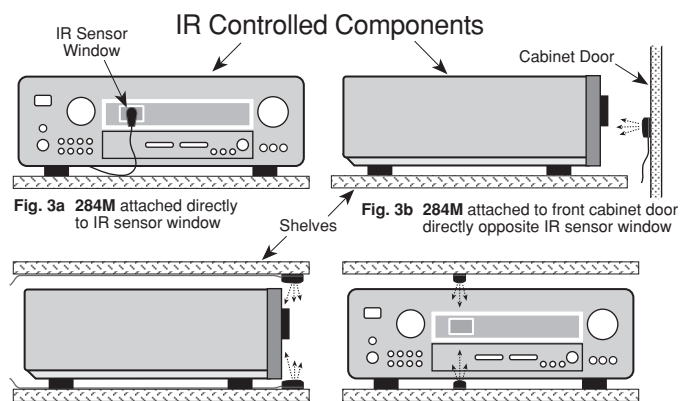


Fig. 3 Emitter Attachment Locations

BLACK (IR OPAQUE) MOUSE SHIELD.

- An **optional** shield, available from Xantech as model **MS-1**, fits over both the 284M mouse emitter shell and the sensor window of the controlled component. It prevents unwanted external IR signals from passing through or leaking past it.
- The MS-1 also prevents IR from the 284M from radiating backward into the IR sensors of other components.
- It is especially useful for zone controlled applications where you want the equipment controlled only by the 284Ms that are fastened over the component IR sensors.

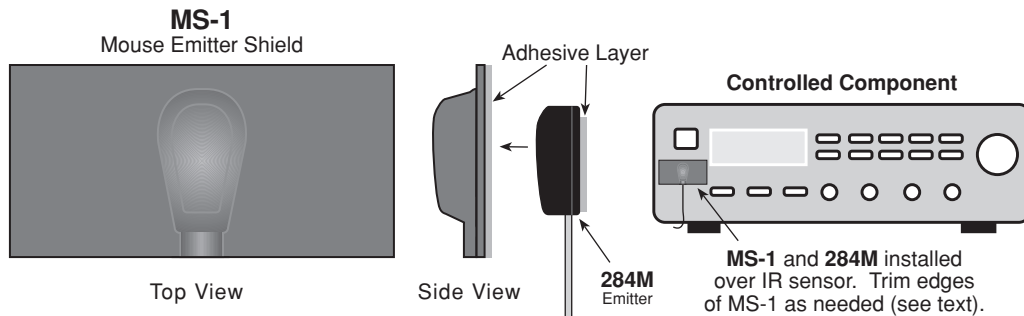


Fig. 4 Using the MS-1 Mouse Emitter Shield

Install as follows:

1. Before removing the adhesive covers from the shield or the emitter, fit them together and accurately position them over the IR sensor window of the component.
2. Neatly trim the shield (if needed) being sure that it overlaps the extremities of the equipment's IR sensor window.
3. Remove adhesive covers from the shield and the emitter and stick them onto the IR sensor window.

CONNECTING THE EMITTERS

- Simply insert the mono mini-plug of the **284M** emitters into the "EMITTERS" or "OUT" jacks on any of the Xantech Connecting Blocks or Controllers.
- **CAUTION: DO NOT plug them into the IN/OUT or HIGH OUT jacks on the 791-44 and 790-00 Connecting Blocks.** To do so will destroy the emitters!
- **Fig. 5** illustrates a typical basic system using the **284M** emitters.

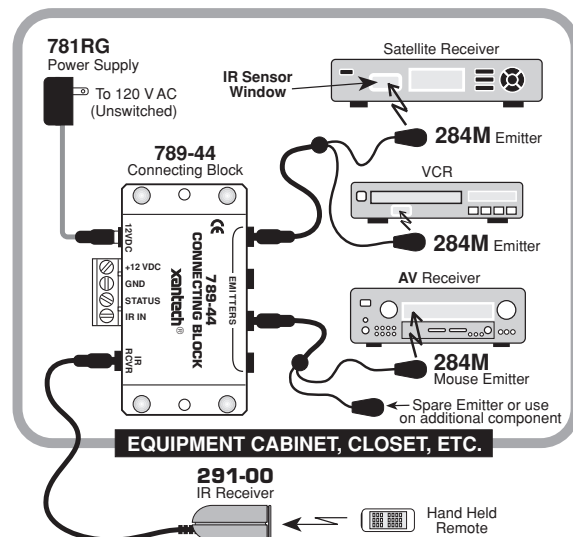


Fig. 5