

INSTALLATION INSTRUCTIONS

XSSD2100W

100Watt, Speaker Selector, Decora
A/B Speaker Selector, A/B Source Selector

DESCRIPTION

The XSSD2100W provides an easy-to-use, easy-to-install, A/B or A+B speaker selector switch. It is also a A/B source selector switch. Premium components are used to provide high-quality speaker or amplifier selection. The XSSD2100W requires no external power source. The XSSD2100W cannot be used with high power bridged amplifiers.

SPECIFICATIONS

- Source input selectable, A or B switches
- Speaker output selectable, A or B or A+B switches
- Dimensions: 1.65" W x 4.0" H x 1.5" D
- Screw terminal connectors used with 16 to 22 AWG wiring.
- Rotary style switch

INSTRUCTIONS (Without Volume Control)

- 1) Remove ¼" of insulation from the ends of the wires.
- 2) Connect the following wires together. It is recommend to use the appropriate wire caps.
 - a. White to Yellow.
 - b. Gray to Orange.
 - c. Purple to Red.
 - d. Green to Brown.
- 3) Connect the two sources according to the chart below:

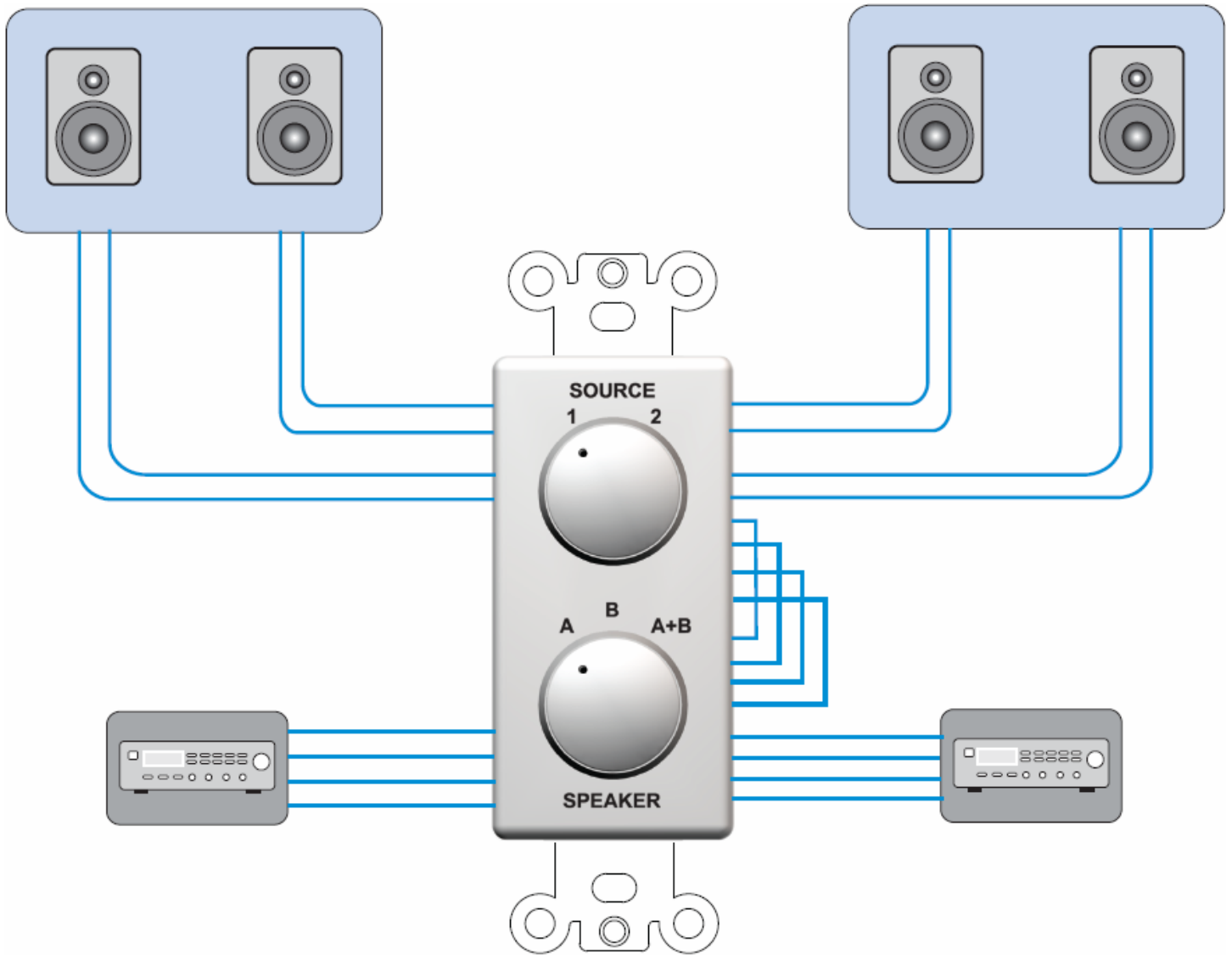
Source "1"	Screw Terminal
Right +	2
Right -	3
Left -	4
Left +	6

Source "2"	Screw Terminal
Right +	1
Right -	3
Left -	4
Left +	5

- 4) Connect the two speaker pairs according to the chart below:

Speaker "A"	Screw Terminal
Right +	9
Right -	7
Left -	12
Left +	11

Speaker "B"	Screw Terminal
Right +	8
Right -	7
Left -	12
Left +	10



The figure above shows the XSSD2100W in an application with two sources and two pairs of speakers.

INSTRUCTIONS (With Volume Control)

- 1) Remove ¼" of insulation from the ends of the wires.
- 2) Connect the following wires together:

VOLUME CONTROL INPUT	Wire Color
Right +	RED
Right -	BROWN
Left -	YELLOW
Left +	ORANGE

VOLUME CONTROL OUTPUT	Wire Color
Right +	PURPLE
Right -	GREEN
Left -	WHITE
Left +	GRAY

- 3) Connect the two sources according to the chart below:

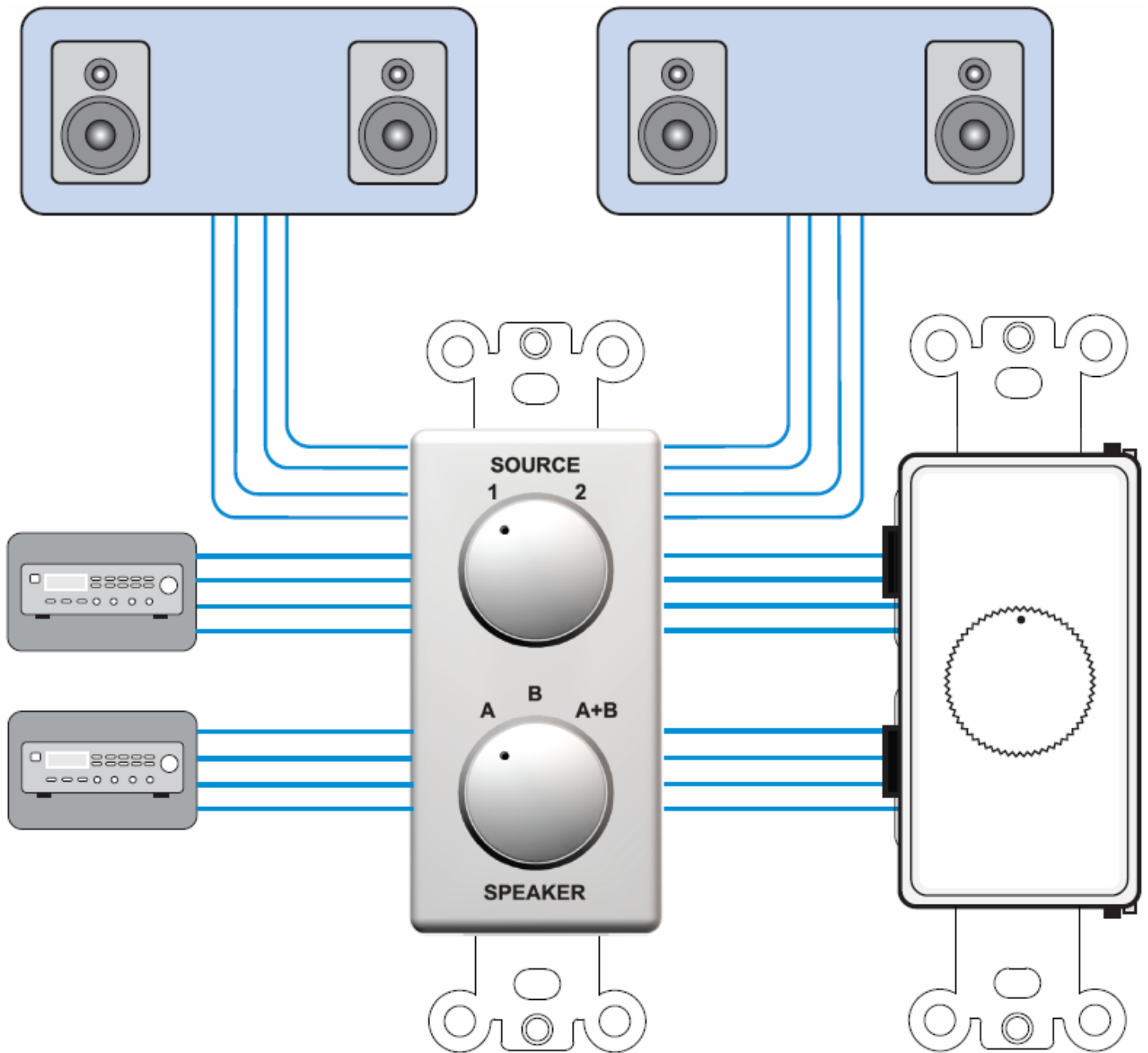
Source "1"	Screw Terminal
Right +	2
Right -	3
Left -	4
Left +	6

Source "2"	Screw Terminal
Right +	1
Right -	3
Left -	4
Left +	5

- 4) Connect the two speaker pairs according to the chart below:

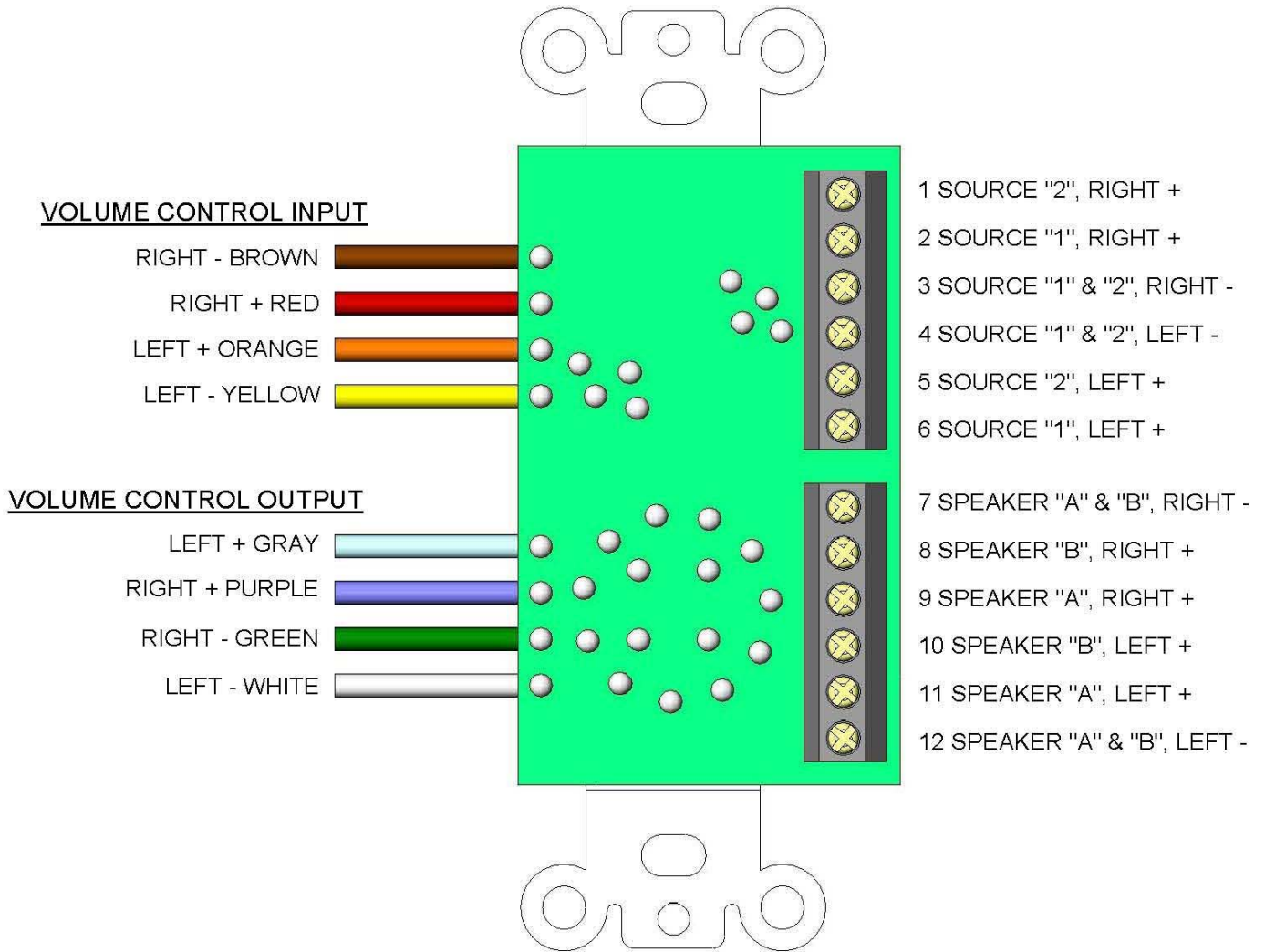
Speaker "A"	Screw Terminal
Right +	9
Right -	7
Left -	12
Left +	11

Speaker "B"	Screw Terminal
Right +	8
Right -	7
Left -	12
Left +	10



The figure above shows the XSSD2100W in an application with two sources and two pairs of speakers.

A Xantech XVC volume control is also used to create an enhanced system.



The figure above shows the XSSD2100W, rear view.

Xantech Limited Warranty

(Effective for products sold after July 1, 2006)

Xantech Corporation ("Xantech") warrants to the holder of a valid proof of purchase as the first end-user purchaser ("You"), its products to be free from defects in materials and workmanship for the periods specified below from the date of purchase. This limited warranty extends only to You for product purchased and used in the United States of America. For product purchased outside of the United States of America, the terms of this warranty apply EXCEPT that You must contact the Xantech authorized distributor in your region for warranty services. Product is not intended for end user installation. If within the applicable warranty period above You discover such item was not as warranted above and You promptly notify Xantech in writing, Xantech shall repair or replace the items at its option. Xantech may elect which remedy or combination of remedies to provide in its sole discretion. Xantech may use functionally equivalent reconditioned/refurbished/pre-owned or new products or parts under this limited warranty. This warranty shall not apply (a) to product which shall have been installed by other than an authorized Xantech installer, (b) to installed product which is not installed to Xantech's specifications, (c) to product which shall have been repaired or altered by others than Xantech, (d) to charges for installation or set up or adjustment of customer controls, (e) to product that has suffered normal cosmetic deterioration (f) to product which shall have been subjected to negligence, misuse, abuse, accident, or damage by circumstances beyond Xantech's control, including, but not limited to, lightning, flood, electrical surge, tornado, earthquake, or any other catastrophic events beyond Xantech's control, or (g) to product which shall have been subjected to improper operation, connected equipment failure or malfunction, inadequate packing or shipping damage, maintenance or storage, or to other than normal use of service. The foregoing warranties do not cover reimbursement for labor, transportation, shipping, removal, installation, or other expenses which may be incurred in connection with repair or replacement. All claims for product shipping damage must be processed within 3 days of receipt by You.

A Xantech Return Authorization (RA) must be obtained from Xantech by You, your installer or your distributor for Product covered under this warranty. Covered product must be sent to Xantech together with proof of purchase, RA number, prepaid and insured to Xantech. Freight collect shipments will be refused. Risk of loss or damage in transit is borne by the sender. Xantech's warranty does not cover Products which have been received improperly packaged, altered, or physically damaged. Products will be inspected upon receipt.

Except as may be expressly provided and authorized in writing by Xantech, Xantech shall not be subject to any other obligations or liabilities whatsoever with respect to equipment manufactured or sold by Xantech or services rendered by Xantech.

THE FOREGOING WARRANTIES ARE EXCLUSIVE AND IN LIEU OF ALL OTHER EXPRESSED AND IMPLIED WARRANTIES, INCLUDING BUT NOT LIMITED TO IMPLIED WARRANTIES OF MERCHANTABILITY AND FITNESS FOR A PARTICULAR PURPOSE.

ATTENTION: TO OUR VALUED CONSUMERS

To insure that consumers obtain quality pre-sale and after-sale support and service, Xantech products are sold exclusively through authorized dealers and authorized distributors. Xantech products are not sold online. The warranties on Xantech products are NOT VALID if the products have been purchased from an unauthorized distributor or an online E-tailer. In order to determine if your Xantech re-seller is authorized, please call Xantech (800) 843 - 5465.

XANTECH PRODUCT (go to Xantech.com/warranty for model numbers)	WARRANTY DURATION
IR Receivers and IR Emitters	Limited Lifetime
A/V distribution and Control	Limited Lifetime
Remote Control Switchers	Limited Lifetime
Modules and Connecting Blocks	Limited Lifetime
Accessories	Limited Lifetime
Speakers	Limited Lifetime
Volume Controls and Speaker Selectors	5 year Limited
MRC, BX, ZPR and Commercial Products	2 year Limited
Amplifiers	2 year Limited
Control Interfaces	2 year Limited
Hand Held Remote Controls	1 year Limited
SPLCD Product	1 year Limited
Source Components	1 year Limited