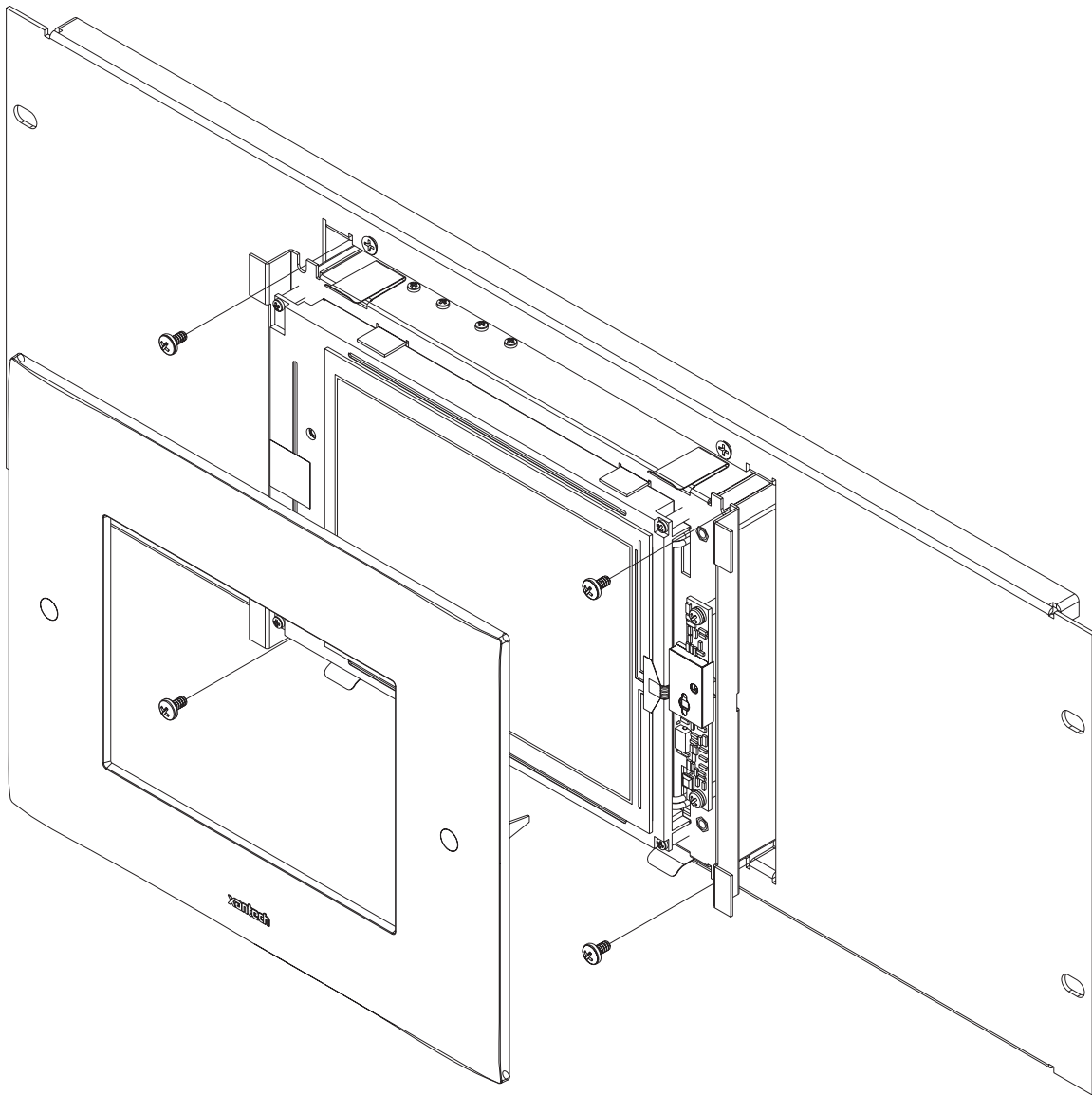


Xantech  
Instructions CSPLCD64RMP  
Rack Mount Panel 19" Black



**Standard SmartPad™ LCD Bezel Mounting Instructions (SPLCD64BZ)**

1. Using the included screws (10-32 5/8"), mount the rack mount panel to the system rack.
2. Attach the Xantech touch-screen controller to the rack mount panel by screwing in the 6-32x1/4" screws (included with the back box) to all four corners.
3. Place the SPLCD Bezel on top of the Xantech touch-screen controller by lining up the tabs and inserting slowly.
4. Installation Complete!

**Specifications:**

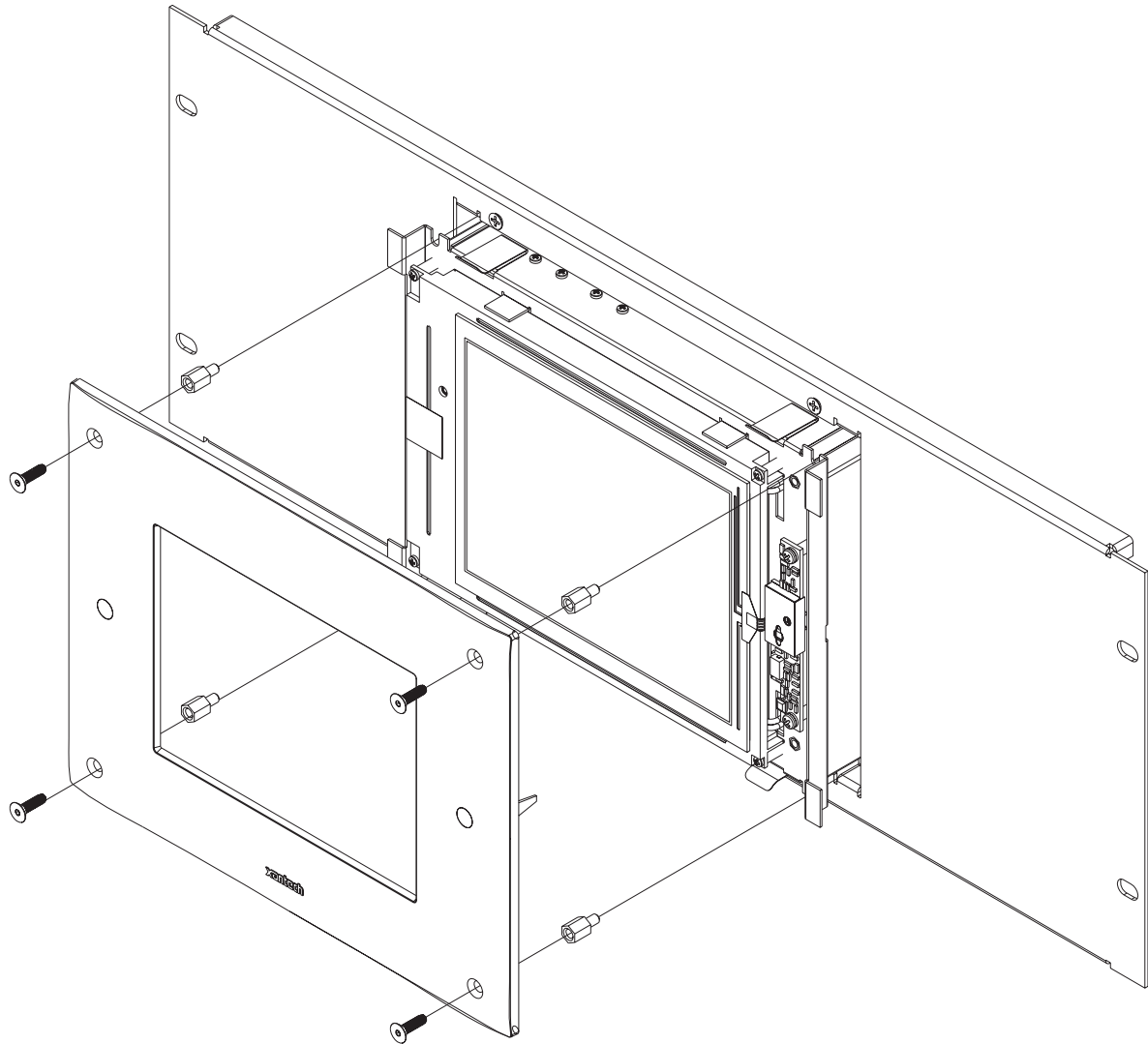
Rack Mount Dimension: 19" Width x 6.97" Height (48.26cm x 17.73cm)

Rack Height = 4U (1U=1.75")

Finish: Camel Paint, Acrylic Flat Black

Material: Electro-Galvanized Steel

Xantech  
Instructions CSPLCD64RMP  
Rack Mount Panel 19" Black



**CSPLCD Security Bezel Mounting Instructions (CTD64SBZ)**

1. Using the included screws (10-32 5/8"), mount the rack mount panel to the system rack.
2. Attach the Xantech touch-screen controller to the rack mount panel by screwing in the included 1/4" hex standoffs to all four corners.  
**CAUTION: Over tightening may result in broken hex standoffs.**
3. Place the SPLCD Security Bezel on top of the Xantech touch-screen controller by lining up the tabs and inserting slowly. Be sure the female threads of all four hex standoffs and be seen through the countersunk holes.
4. Screw in the desired 6-32x1/2" security screws to all four corners.
5. Installation Complete!

**Specifications:**

Rack Mount Dimension: 19" Width x 6.97" Height (48.26cm x 17.73cm)

Rack Height = 4U (1U=1.75")

Finish: Camel Paint, Acrylic Flat Black

Material: Electro-Galvanized Steel