


REV	DESCRIPTION	DATE	APPROVED
A	PRODUCTION RELEASE PER ECO# 4566	02/16/07	

Mfg. Process: PRINTING
 Ink: BLACK
 Material: 20# MEAD BOND, WHITE
 Binding: NONE
 Finished Size: 8.5" X 11"

		FINAL PART AND FINISHED SIZED ARTWORK TOLERANCE: <input type="checkbox"/> ± .040" <input checked="" type="checkbox"/> ± .125" <input type="checkbox"/> ± _____"				12950 Bradley Avenue Sylmar CA 91342-3829 Phone: 818.362.0353 Fax: 818.362.9506	
				TITLE INSTRUCTIONS, HDTXSG01			
		DRAWN E. Leu	DATE 01/17/07				
		COG. ENGINEER	DATE	SCALE 1-1	SIZE A	DRAWING NO. 08905061	REV. A
		CHECKED	DATE	FILE NAME		SHEET <u>1</u> OF <u>4</u>	

INSTALLATION INSTRUCTIONS

HDTXSG01

High Definition Transmitter Module

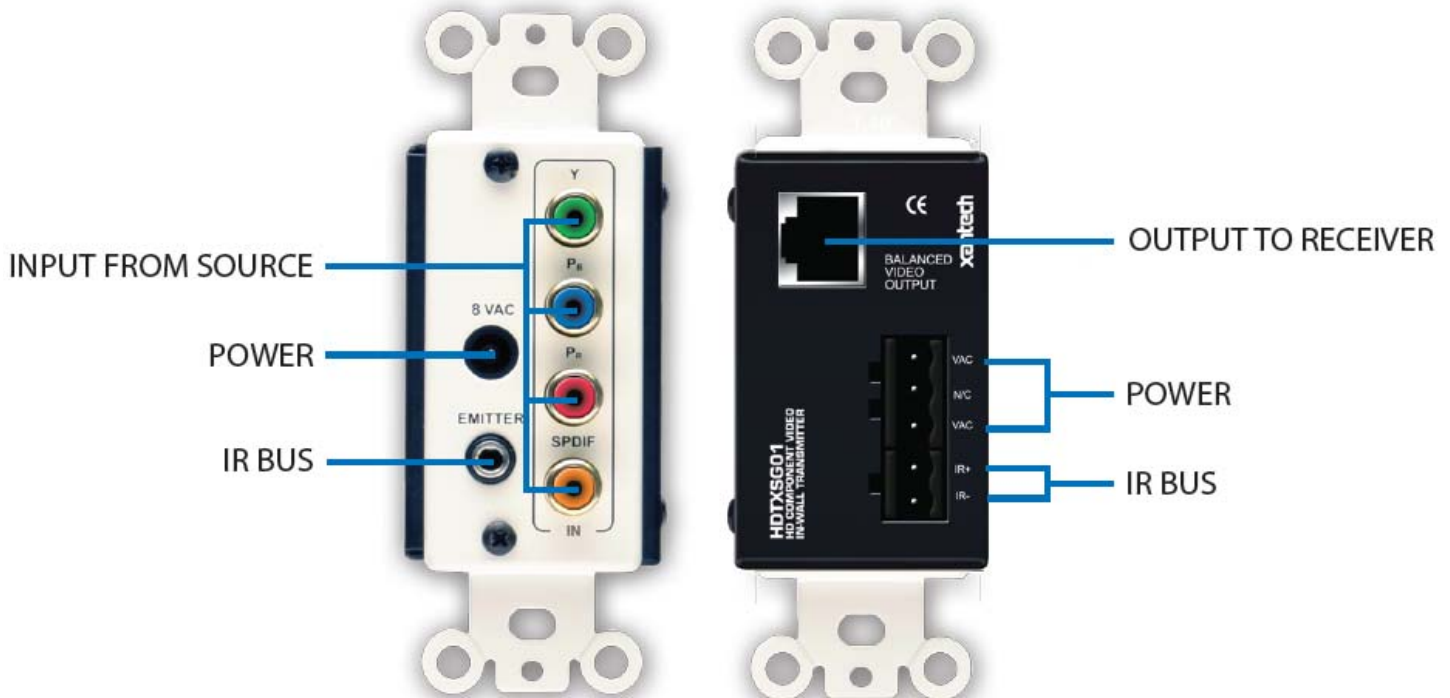
DESCRIPTION

The HDTXSG01 is a transmitter module for sending single HD or SD video source component and digital audio output up to 1000 feet over CAT5 wire to a HDRXSG01 receiver (sold separately).

The HDTXSG01 installs easily in a single-gang J-box. It contains a RJ45 output for the HD video and digital audio signal as well as a standard IR (requires separate wire run) and power connection either through the front or back of the unit.

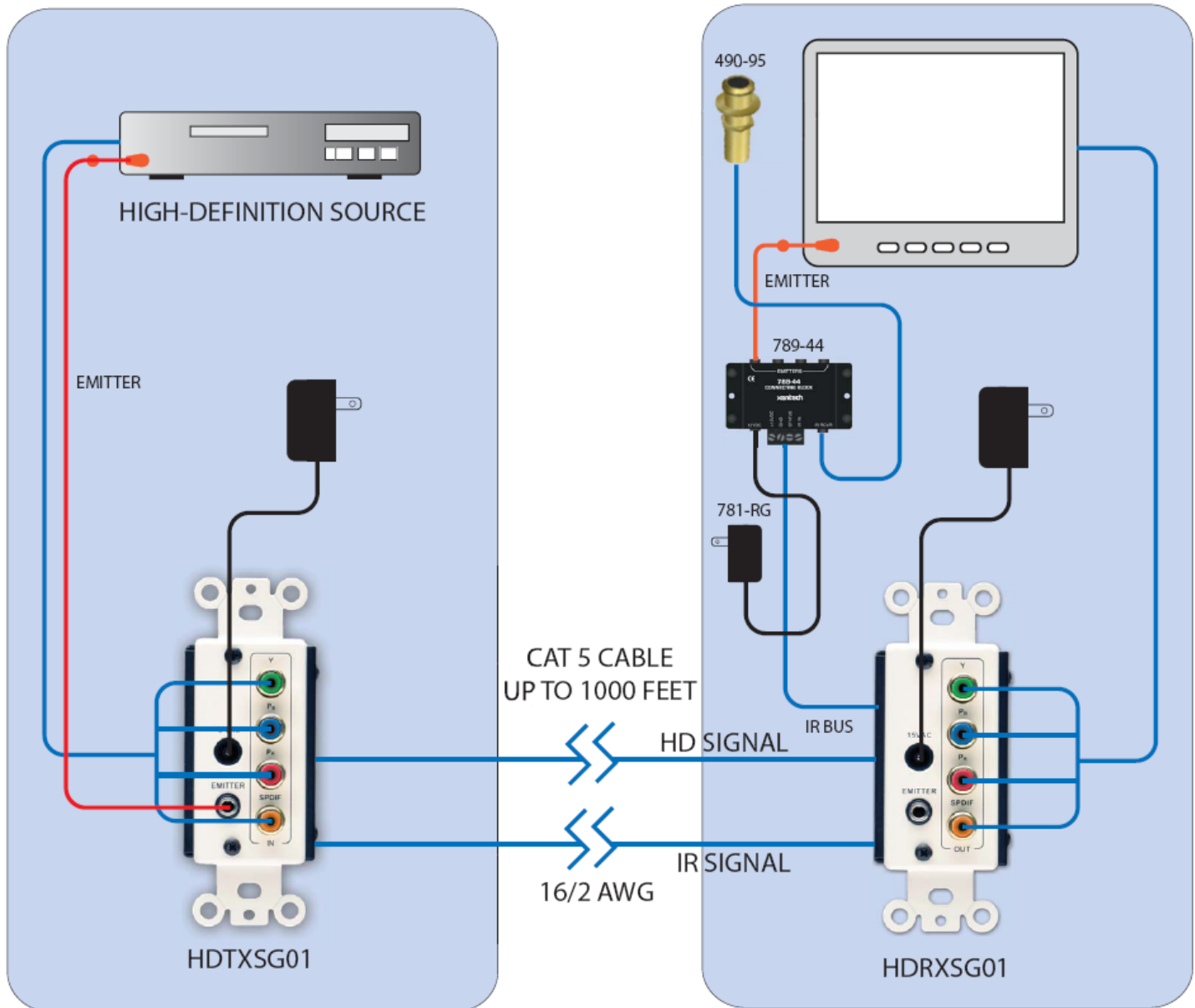
SPECIFICATIONS

- Size: 1 1/2" W x 2 1/4" D x 4" H
- Weight: 0.38 lbs (0.17 kilos)
- Bandwidth supports resolutions of 1080p, 1080i, 720p, 480p and 480i.
- Includes external power supply (8VAC, 400mA, 50-60Hz)
- Gold plated RCA connectors



QUICK INSTALLATION: HDTXSG01 and HDRXSG01

- [1] Connect the High-Definition Source to the HDTXSG01.
- [2] Using CAT5 cable, connect the HDTXSG01 output to the HDRXSG01 input.
- [3] Connect the High-Definition Display to the HDRXSG01.
- [4] Connect power supply to HDTXSG01. Then connect a power supply to the HDRXSG01.
- [5] Installation Complete! No adjustments needed!



IR INSTALLATION:

An IR control system can be established by purchasing one of Xantech's IR kits. Xantech's IR kits contain power supplies, emitters, connecting blocks, and IR receivers which allows IR control of the monitor and source equipment via an IR remote control.

POWER SUPPLY

The HDTXSG01 is supplied with a 8VAC, 400mA power supply. Do not use any power supply other than the one included with the HDTXSG01.

The HDTXSG01 can be powered from either the front on the unit (DIN connection) or the rear of the unit (Screw Terminal connection). **DO NOT USE FRONT AND REAR POWER SUPPLY CONNECTIONS AT THE SAME TIME.**

Do not install the HDTXSG01 in conditions where the temperature is greater than 55 Celsius (131 degrees Fahrenheit).

IMPORTANT NOTICE

After connecting the CAT5 cable to the receiver (HDRXSG01), the power supply to the receiver should be unplugged for a few seconds and then reconnected. This allows the receiver to go through the full process of line length and line quality self-calibration.

As an alternate process to this procedure, the power may be cycled off for a few seconds and reapplied to accomplish the same full self-calibration process.

If for some reason the system losses power at the receiving end (HDRXSG01), the transmitting end (HDTXSG01), or both ends, the full self-calibration process will automatically occur.



Xantech Corporation
13100 Telfair Avenue, 2/F
Sylmar, CA 91342

www.xantech.com

Phone: (818) 362-0353, Fax: (818) 362-9506

Installation Instructions, HDTXSG01 © 2007 Xantech Corporation

This document is copyright protected. No part of this manual may be copied or reproduced in any form without prior written consent from Xantech Corporation.

Xantech Corporation shall not be liable for operational, technical, or editorial errors/omissions made in this document.

Document Number 08905061A