



HDMI1X4

USER MANUAL

www.xantech.com

CONTENTS

- 1 Introduction / Operation Notes**
- 2 Features and Package Contents**
- 3 Panel Descriptions**
- 4 Connecting and Operating the 1X4 HDMI Splitter**
- 5 Specifications**

INTRODUCTION

Congratulations on your purchase of the 1X4 HDMI Splitter. Your complete satisfaction is very important to us.

The Xantech 1X4 HDMI Splitter

The Xantech 1X4 HDMI Splitter for HDMI allows a single HDMI device to be mirrored to four HDMI displays. When two or more Xantech 1X4 HDMI Splitter units are connected together, they can be used to create a larger video signal distribution. This unit supports HDMI 1.3 features and passes the higher bandwidth HDMI 1.3 signal for the ultimate in state-of-the-art HDMI signal duplication.

How It Works

The Xantech 1X4 HDMI Splitter for HDMI 1.3 is connected using an HDMI cable from the HDMI source to the HDMI splitter input. There are four HDMI outputs. Each HDMI output is connected to an HDMI display device and all connected displays will then show a crisp, clear replica of the source video signal.

READ THESE NOTES BEFORE INSTALLING OR

OPERATING THE 1X4 HDMI SPLITTER

- Display information (EDID) is sent from the display connected to HDMI output port 1 to the source. If there is no display connected to HDMI output port 1, the remaining HDMI output ports will be scanned in succession and use the first EDID that it detects. (See note on page 4 for additional information)
- HDMI 1.3 compliant (please see the next page for supported HDMI 1.3 options)
- HDCP compliant
- Compatible with all HDMI and DVI* displays

*When used with a HDMI to DVI adapter

FEATURES

Features

- HDMI and HDCP compliant
- Connects up to four HDMI™ / DVI displays at the same time to one video source
- Maintains beautiful, sharp HD resolutions up to 1080p, 2k, and computer resolutions up to 1920 x 1200 are easily achieved
- Small, light and compact

HDMI 1.3 Features

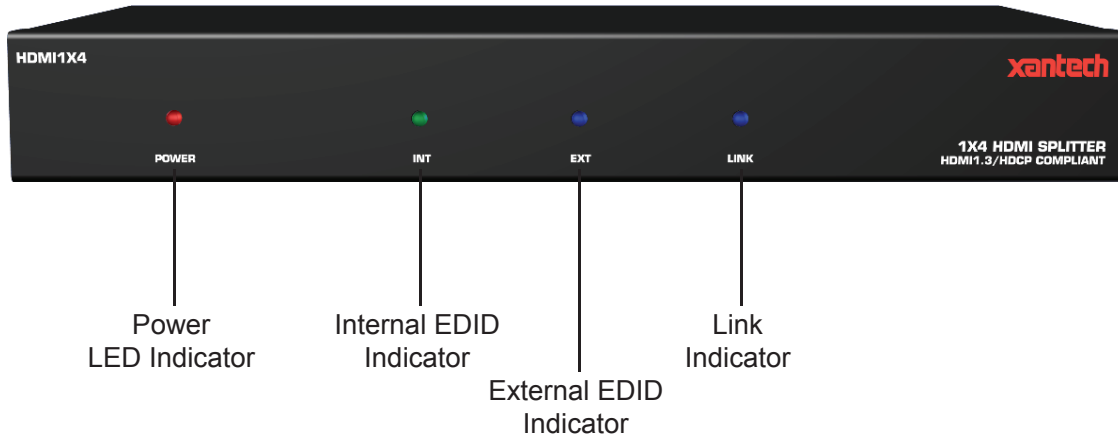
- Lip-Sync Pass Through
- 225 MHz (up to 12 bit YUV 444 supported @ 1080p)
- Deep Color Supported (XV Color Supported)
- Color Space Conversion Supported
- Dolby TrueHD & DTS-HD Master Audio Supported
- CEC Pass Through

INCLUDED IN THE PACKAGE

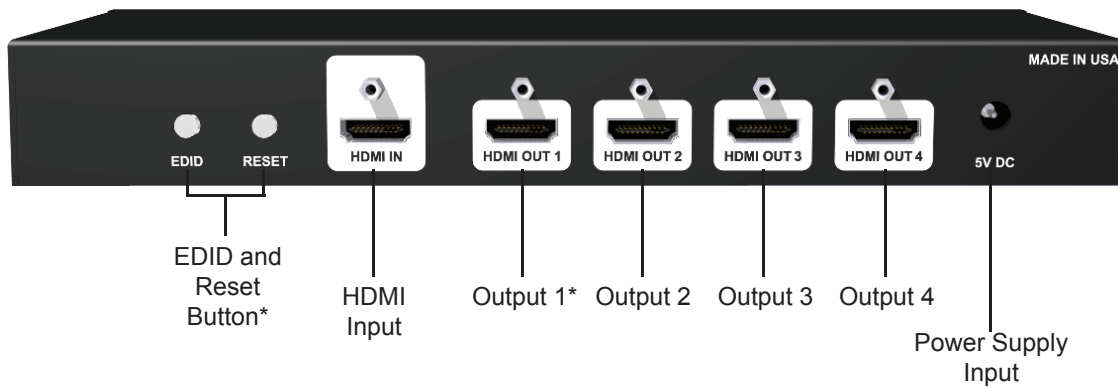
- (1) 1X4 Splitter for HDMI 1.3
- (1) 6 Foot HDMI Cable (M-M)
- (1) 5V DC Power Supply
- (1) User Manual

PANEL DESCRIPTIONS

Front Panel



Back Panel



*Please see page 4 for additional information

CONNECTING AND OPERATING THE 1X4 HDMI SPLITTER

How to Connect the 1X4 HDMI Splitter

1. Connect the HDMI source to the 1X4 HDMI Splitter using the supplied HDMI cable.
2. Connect the displays (up to four) to the 1X4 HDMI Splitter using user supplied HDMI cables.
3. Plug the 5VDC power supply into the Xantech Switcher and power outlet.

NOTE: Display information (EDID) is sent from the display connected to HDMI output port 1 to the source. If there is no display connected to HDMI output port 1, the remaining HDMI output ports will be scanned in succession and use the first EDID that it detects. The source will output resolutions and timings according to the EDID that is being fed by the display connected to output port 1. Therefore, all of the connected displays must be capable of accepting the timings and resolution output by the source. It is recommended that the display with the lowest native resolution be connected to HDMI output port 1. This is to ensure that a compatible video signal will be able to be displayed on all connected monitors. Optionally, you can use a generic 1080i EDID that is pre-stored on the 1X4 HDMI Splitter. Please see the below section on how to use this EDID instead of using the EDID from display output 1.

EDID MODES

The 1X4 HDMI Splitter has an EDID button which will determine if the EDID is used from the display attached to output 1 (Ext. mode) or if the onboard EDID (Int. mode) will be used.

The current EDID mode can be determined by which EDID mode LED is active on the front panel. The Ext LED will indicate that the external EDID (from output port 1) is being used, and the Int LED will indicate that the internal pre-programmed EDID is being used.

If you want to use the onboard EDID, press the EDID button on the rear panel and then press the reset button to activate the new EDID mode. To revert back to using the external EDID, press the EDID button again and then reset the unit using the reset button to activate the new EDID mode.

Listed Resolutions in the Internal EDID:

1280x720p	50 Hz	(Native)
1280x720p	59.94 / 60 Hz	(Native)
1920 x 1080i	50 Hz	
1920 x 1080i	59.94 / 60 Hz	
720 x 480p	59.94 / 60 Hz	
720 x 576p	50 Hz	
1920 x 1080p	50 Hz	
1920 x 1080p	59.94 / 60 Hz	
1440 x 480p	59.94 / 60 Hz	
1440 x 576p	50 Hz	

SPECIFICATIONS

Video Amplifier Bandwidth: 225 MHz

Input Video Signal: 1.2 Volts p-p

Input DDC Signal: 5 Volts p-p (TTL)

Single Link Range: 1080p/1920 x 1200, 12 bit color depth

HDMI Connector: Type A 19 Pin Female

Power Supply: 5V DC

Power Consumption: 10 Watts (max)

Dimensions: 10.25"W x 1"H x 4.25"D

Shipping Weight: 5 lbs

Technical Support

Hours: 7AM-5:30PM PST

Phone: 800.843.5465

press 2 for Tech Support

FAX: 800.492.6832

e-mail: tech@xantech.com

Mailing Address

Xantech Corporation

13100 Telfair Avenue, 2/F

Sylmar, CA 91342

HDMI1X4 User Manual © 2008 Xantech Corporation

This document is copyright protected. No part of this manual may be copied or reproduced in any form without prior written consent from Xantech Corporation. Xantech Corporation shall not be liable for operational, technical, or editorial errors/omissions made in this document. Xantech is a registered trademark of Xantech Corporation. All rights reserved.

xantech[®]

www.xantech.com
