

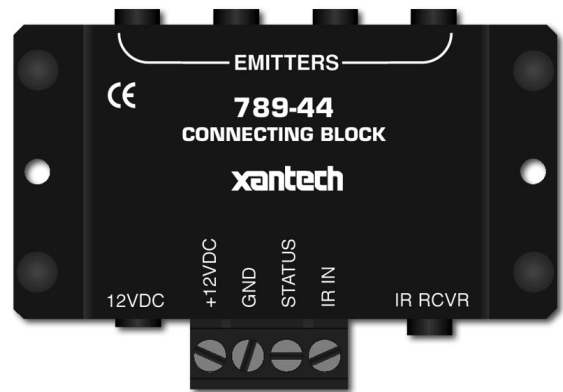
490-95 KITRP

Plasma Friendly Micro Link IR Receiver

DESCRIPTION

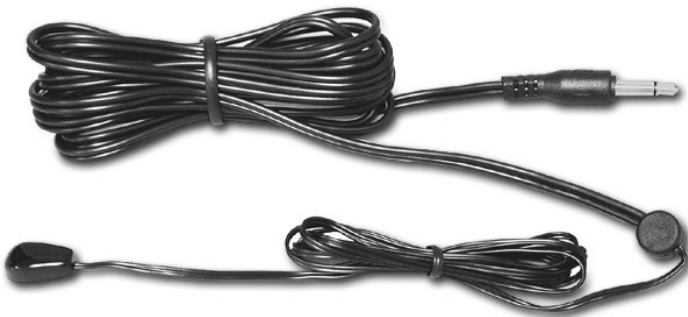
The 490-95 KITRP comes with everything needed for a complete IR repeater system. The 490-95 IR receiver is designed to reject interference from Plasma Displays from entering the IR signal line. These small IR Receivers are intended to be mounted in panels, doors, cabinets, etc. for control of A/V equipment behind closed doors or any IR Repeater System that is in close proximity of a Plasma Display.

INCLUDED ITEMS



ITEM A: (1) 490-95 Plasma Friendly IR Receiver

ITEM B: (1) 784-44 Connecting Block



ITEM C: (4) 283M Mouse Emitters



ITEM D: (1) 781RG Power Supply

INSTALLATION INSTRUCTIONS

STEP 1:

Plug in the 2.1mm Coaxial power plug of the 781RG Power Supply (**ITEM D**) into the jack labeled 12VDC on the 789-44 Connecting Block (**ITEM B**).

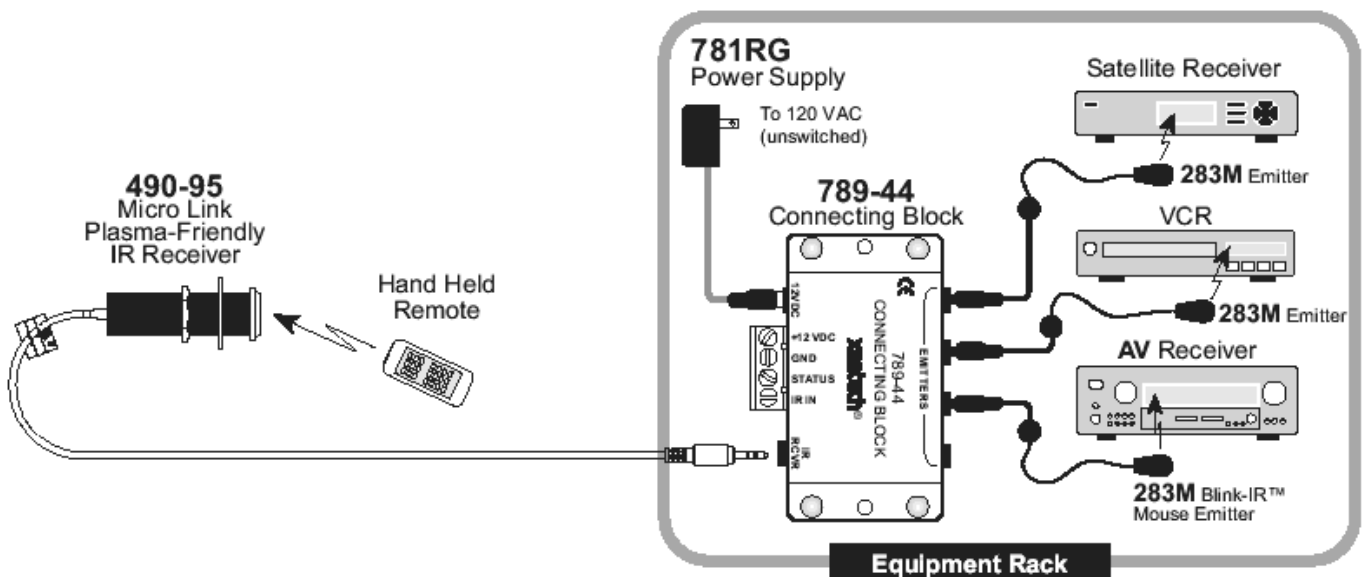
Plug the AC end of the 781RG Power Supply (**ITEM D**) into an 'un-switched' 120V AC Line outlet.

STEP 2:

Plug the 3.5mm stereo mini plug from the 490-95 (**ITEM A**) into the IR RCVR input on the 789-44 Connecting Block (**ITEM B**).

STEP 3:

Plug in the 283M Emitters 3.5mm mono mini plug (**ITEM C**) into the jacks labeled EMITTERS on the 789-44 (**ITEM B**) and affix the opposite end of the IR Sensor Window of the controlled equipment.



XANTECH CORPORATION
13100 Telfair Avenue
Sylmar, CA 91342
Phone 818-362-0353 Fax 818-362-9506
www.xantech.com

Part No. 08901688 Rev A 01-17-06
© 2005 Xantech Corporation